

DWS/SE/DWSW Series

U.V. Disinfection

INSTALLATION & OPERATION MANUAL

This manual covers installation, operation and maintenance requirements for DWS/SE/DWSW U.V. Disinfection Units.

Models DWS-7, 15, and SE-7, 15, and DWSW-8, 15.

It is important that those responsible for the installation of this equipment, as well as the owner / operator, read this manual and carefully follow the instructions and guidelines.



AQUA TREATMENT SERVICE, INC.

194 HEMPT ROAD

MECHANICSBURG, PA 17050

ph: (717) 697-4998

fax: (717) 697-5035

SAFETY INSTRUCTIONS

WARNING - to guard against injury, basic safety precautions should be observed, including the following:

- 1. READ AND FOLLOW ALL SAFETY INSTRUCTIONS.**
2. **DANGER** -To avoid possible electric shock, special care should be taken since water is present near electrical equipment. Unless a situation is encountered that is explicitly addressed by the provided maintenance and troubleshooting sections, do not attempt repairs yourself, refer to an authorized service facility.
3. Carefully examine the disinfection system after installation. It should not be plugged in if there is water on parts not intended to be wet.
4. Do not operate the disinfection system if it has a damaged power cord or plug, if it is malfunctioning or if it is dropped or damaged in any manner.
5. Always disconnect water flow and unplug the disinfection system before performing cleaning or maintenance activities. Never yank the power cord to remove it from an outlet, grasp the plug and pull to disconnect.
6. Do not use this disinfection system for other than the intended use (potable water applications). The use of attachments not approved, recommended or sold by the manufacturer / distributor may cause an unsafe condition.
7. Intended for indoor use. Do not install this disinfection system where it will be exposed to the weather. Do not store this disinfection system where it will be exposed to temperatures below freezing unless all the water has been drained from it and the water supply has been disconnected.
8. Read and observe all the important notices and warnings on the water disinfection system.
9. If an extension cord is necessary, a cord with a proper rating should be used. A cord rated for less Amperes or Watts than the disinfection system rating may over heat. Care should be taken to arrange the cord so that it will not be tripped over or accidentally pulled from the outlet.
- 10. SAVE THESE INSTRUCTIONS.**

WARNING: The light given off by this unit can cause serious burns to unprotected eyes and skin. Never look directly at a lit UV lamp. When performing any work on the UV Disinfection System, always unplug the unit first. Never operate the UV system while the lamp is outside of the UV chamber.

WARNING: The UV lamp inside of the disinfection system is rated at an effective life of approximately 9,000 hours. To ensure continuous water treatment, replace the UV lamp annually with the appropriate Aqua Treatment Services UV lamp. Failure to comply may present a fire hazard.

FUNCTION:

The function of this ultraviolet disinfection unit is to provide in excess of 99% reduction of all water borne pathogenic (disease causing) bacteria.

Model DWS/SE/DWSW series have a number code designation correspondent to the maximum gpm (gallons per minute) flow rate of the unit. I.E.- DWS-7 has a maximum flow capacity of 7 gpm.

Applications:

Ultraviolet Germicidal Disinfection

A.T.S. Ultraviolet Disinfection Units are designed to destroy micro-organisms in water supplies. The Ultraviolet lamp peak radiation of 254 nanometer wavelength (nm) destroys or inactivates the D.N.A. (deoxyribonucleic acid) which absorbs the Ultraviolet radiation. A.T.S. Germicidal Disinfection units meet minimum dosages of 30,000 microwatt second per square centimeter.

MAXIMUM CONCENTRATION LEVELS BEFORE ULTRAVIOLET:

Turbidity.....	5NTU	Hardness.....	7 gpg
Color.....	None	Iron.....	0.3 ppm
Manganese.....	0.05 ppm	pH.....	6.5 - 9.5ppm

Important Note - Pre-filtration equipment may be required if these parameters cannot be maintained. Flow rate must not exceed rated capacity of the unit.

DESCRIPTION OF EQUIPMENT:

The DWS/SE/DWSW series are of unique design with an ultraviolet germicidal lamp housed within a single quartz sleeve surrounded by a stainless steel pressure chamber. The chamber is fabricated out of 304 Stainless Steel. A removable stainless steel cover exposes electrical components for servicing, when required.

The DWS/SE series come with an ultraviolet lamp designed with one pin at each end. This type of lamp has a socket connected to each pin. The DWSW-8 model comes with a bi-pin connection at each end.

A stainless steel threaded nipple with a brass compression nut and O-Ring is located at each end of the disinfection chamber.

The quartz sleeve is intended to be placed through the disinfection chamber and will slightly protrude from each threaded nipple end. The ultraviolet lamp is placed within this quartz sleeve. The U.V. light shines through this specially designed hard quartz sleeve for maximum disinfection efficiency to meet the requirements for bacteria reduction in potable water.

The inlet/outlet are located on one side of the chamber and may be interchanged as to designation dependent upon installation. A Site Port is provided for safe and easy view of operation.

GENERAL CONSIDERATIONS FOR ALL DISINFECTION UNITS:

1. When installing the equipment, it is necessary that the unit be isolated from vibration, heavy equipment, and poorly connected piping.
 2. Incoming water temperature to the unit should not exceed 35° minimum to 110° maximum degrees Fahrenheit.
 3. The operating pressure should not exceed 100 psi.
 4. Before putting the unit into final operation follow sanitation procedures as outlined in this manual for proper disinfection. Sanitizing all discharge piping and fittings with household bleach from disinfection unit to point of use removes existing contaminants and gives the unit a “clean start.” Be sure to rinse with U.V. treated water.
 5. A proper flow control must be used to insure only the designated flow through the unit.
-

GENERAL PRECAUTIONS TO BE FOLLOWED AT ALL TIMES:

1. Always disconnect electrical power to any U.V. unit before servicing.
 2. Under no circumstances should personnel look at a U.V. lamp in operation
(EXCEPT through an external Site Port lens located on the outside of the unit).
 3. U.V. disinfection units must always be properly grounded.
-

INSTALLATION:

The DWS/SE/DWSW series are always placed after the pressure tank and any other type of treatment devices (i.e. softeners, filters).

These units are normally installed in a vertical position in an enclosed area with good ventilation. Allow clearance of at least the unit's length at one end for quartz sleeve and bulb replacement. Four (4) anchor bolt holes are provided for proper wall support. Use wall plugs with screws for sufficient support (not included).

If your piping system is subject to impulse pressure resulting in a “water hammer” condition, a surge tank or other means must be provided to remove this condition; otherwise, this extreme shock pressure condition may rupture or fracture the quartz sleeve.

Make all plumbing connections to allow for ease of service. Be sure to follow all local plumbing codes and U.V. restriction requirements where specified by local authorities.

On models requiring a U.V. monitor or light detector, the U.V. should be mounted in a vertical position.

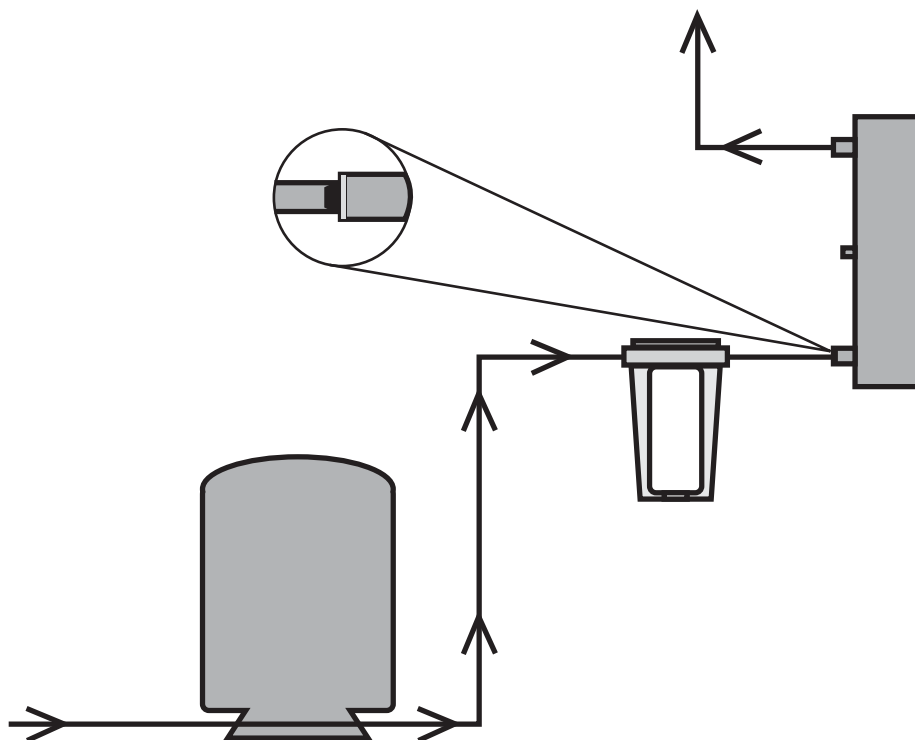
Step By Step Installation:

1. Turn off the water before cutting into the water line.
2. Assess the installation (i.e. type of pipe, size of lines, etc.) and obtain necessary plumbing fittings for installation. Inlets and outlets on 7, 8, and 15 gpm units are 3/4" MNPT. Use Teflon tape on all threaded connections and avoid over tightening.

Note: The flow control is a press in type. Each unit has a 3/4" MNPT inlet/outlet machined so the press in flow control can be easily inserted into whichever port you select for the inlet. Make sure the rubber part of the flow control is facing outward from the port selected. Simply hand press or slightly tap in the flow control until it sits on the inside ledge of the machined port.

3. Using the mounting bracket provided, secure unit to wall, or other surface. Make sure to allow enough room to install, replace, and clean the quartz sleeve and bulb. Installing a water shut-off valve before and after the unit is recommended to make servicing easy.
4. After mounting, install quartz sleeve, O-Ring, and bulb per instructions. Turn on the water slowly, check for leaks, and repair as needed prior to full service operation.
5. After the unit is full of water, plug it into a grounded 110V outlet. Observe operation through the safety Site Port. The lamp will show a bright blue glow. If any problems are noted, consult trouble shooting guide.

GENERAL INSTALLATION DIAGRAM



Battery, UV lamp replacement, and UV Lamp Counter Reset:

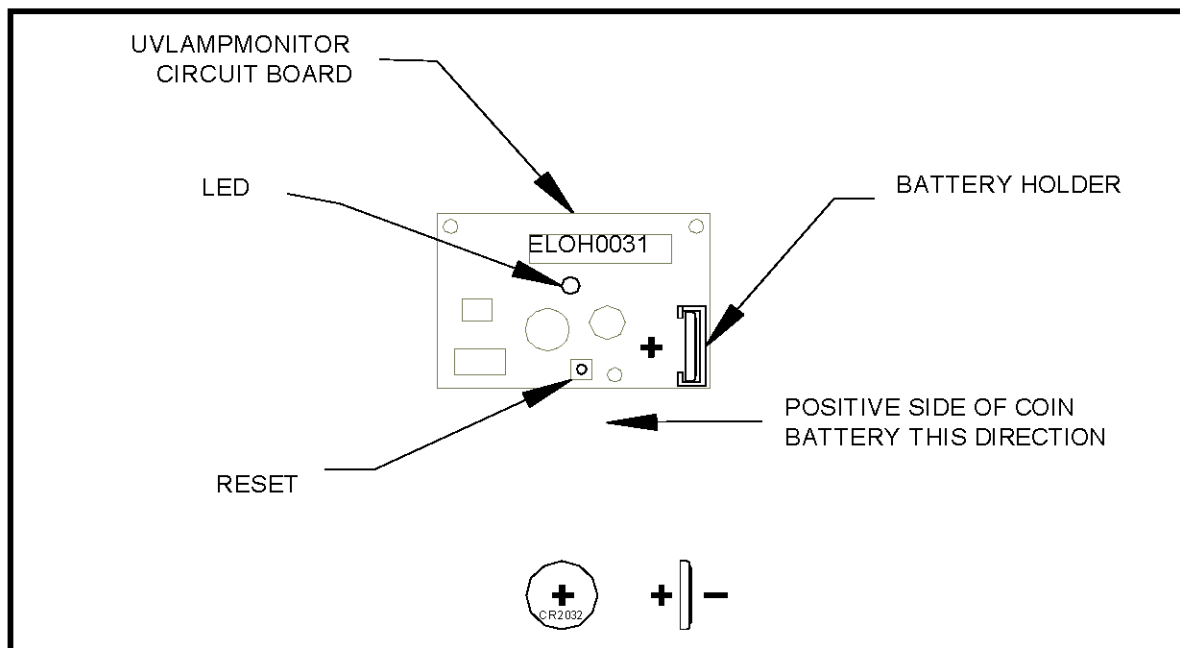
Before power is applied to the unit - **Complete step1 only if battery is not in holder, otherwise go to step 2.**

1. Insert coin battery (+ side in, see drawing) into battery holder on circuit board, **LED** should turn **RED** for approximately 10 seconds.
*If LED does not turn **RED** rotate battery around while in holder. Check if Battery is in between the 2 conductors of the holder.
2. Depress black **RESET** button (hold down for 10 sec.) on circuit board, the **LED** should turn **GREEN** while the button is depressed and then it will turn off.
3. Release the black **RESET** button and the **LED** should return to **RED** for approximately 5 seconds then it will turn off. You have now set the internal clock to zero insuring an accurate measurement of new UV lamp life operating hours. The **LED** will turn **GREEN** and continue to operate once the UV lamp is connected and power is on.

NOTE: When replacing lamps after 9000 hours of operation (shut off power to the unit) only steps 2 & 3 will be required to set the clock back to 0 to begin counting the operating hours of the new lamp.

4. Plug the power cord into a 120V wall outlet and make electrical connections. THIS SHOULD BE DONE IN ACCORDANCE WITH ALL STATE AND LOCAL ELECTRICAL AND BUILDING CODES.

5. Put cover on unit, turn on, and inspect operation. **Never look at the UV lamps without proper eye protection.**



An LED indicator light located on the cover of the Electronic Housing is provided to view the UV lamp Status. A label on the cover of the unit provides UV hazard and Warnings.

Troubleshooting:

In the unlikely event of a problem, please contact your local water treatment dealer directly. Before calling for service, please be sure that you have the Model No. and Serial No.

Important information: It is a normal characteristic of all UV lamps to blacken around the filaments of the lamp. This does not signify the lamp is defective or not emitting Ultraviolet light.

The only time a UV lamp is defective is if it will not light. UV Lamps that illuminate will not qualify for Warranty.

Verify the unit has power 120vac .

Power cord is plugged in and you have power to the control box.

Lamp is securely plugged into their socket And properly oriented

Pin orientation of the lamp is correct.

Verify what signal or status if any the UV Lamp Monitor LED is emitting.

Verify if in fact the UV lamps are on or off. Do not look at the UV light without proper eye protection.

If there is no LED indicator light, and UV lamps are on: Check battery + position in holder and verify the battery voltage.

It should read between 2.8 and 3.0 volts and power should be disconnected to test battery.

Lamp Status Indicator/ UV Lamp Advisor

LED Color	Audible Visual Alarm	Unit Status
Green	No audible	OK
Solid Red	No Audible	Replace lamp within 30 days
Flashing Red (Every 5 seconds)	Beep every 3 Minutes	Lamp has exceeded 1 year of operation replace lamps and reset
Pulsing Red (Every 1 second)	Beep every 1 second	UV lamp is not lit

Please contact your local dealer for replacement UV lamps.

Refer servicing to qualified service personnel

REQUIREMENTS FOR CLEANING THE QUARTZ SLEEVE:

As water passes through the U.V., minerals, debris and other matter in the water may deposit onto the quartz sleeve. After sufficient film has formed on the quartz sleeve, the ability of the ultraviolet germicidal rays to pass through the quartz sleeve and into the water may be impaired. Therefore, it is necessary to determine a cleaning schedule for the quartz sleeve. The frequency will depend on the specific type of water conditions. If the water has been processed through deionization, reverse osmosis, or is distilled, cleaning may be required only once per year. If untreated water is used, the cleaning frequency will vary. A minimum of once yearly is standard recommendation for cleaning and lamp replacement. Contact your local dealer for scheduling this service. Your specific situation will vary the frequency time according to the water quality of the home or facility application.

QUARTZ SLEEVE CLEANING PROCEDURES:

To clean the quartz sleeve, turn off the water flow to the disinfection unit, turn power off, and disconnect the electrical service to the lamp pins. Carefully remove the U.V. lamp. Loosen the compression nuts with O-Rings and remove the quartz sleeve while draining the water from the chamber. The quartz sleeve may then be washed with a mild soap and hot water solution and rinsed clean with hot water. Should this be insufficient to clean the quartz sleeve, a mild acid may be used (i.e. vinegar). Be certain to follow all recommended safety and handling procedures on the acid container. It is important to handle the quartz sleeve with care to prevent breakage. Make certain that all finger prints are wiped clean before reinstalling (see installation of the quartz sleeve). Replace O-Rings [ATS8-544(2)] every time a quartz sleeve is cleaned or replaced.

NOTE: On DWSW series units equipped with a wiper rod(s), it will be necessary to clean the quartz sleeve on a regular basis. This avoids any possible buildup of debris or staining. Preferably proper pre-filtration equipment may be necessary to eliminate exposure to contaminants that cause this.

U.V. LAMPS:

INSTALLATION OF THE ULTRAVIOLET LAMPS:

****DO NOT PUT POWER ON AT THIS TIME!****

CAUTION: Never look directly at a operating U.V. lamp operate a U.V. lamp outside the disinfection chamber.

Make sure unit is unplugged when installing or servicing ultraviolet lamp. Remove any paper tabs on the U.V. lamp and avoid allowing fingerprints and other debris to deposit. Carefully place the bulb inside the quartz sleeve leaving enough space to connect the socket connector to the lamp pins. Insert the protective polyurethane endcaps into the quartz open ends to secure the lamp(s) in place or reinstall brass dust covers.

ULTRAVIOLET LAMP MAINTENANCE REQUIREMENTS:

The U.V. lamp is rated for 9,000 hours of continuous use. After this period of time, the U.V. lamp has undergone a photochemical change. While the lamp will not normally be burned out, the lamp quartz may no longer emit the 254-nm shortwave U.V. to effectively kill bacteria. **Failure to replace the U.V. lamps every 9,000 hours may cause bacteriological breakthrough.** Should the use of the disinfection unit be intermittent, in no case should the U.V. lamp be used for more than 24 months regardless of the number of hours of operation due to normal shelf life degradation of the U.V. bulb. Changing the quartz sleeve should be done at the same time U.V. lamp replacement is scheduled.

It is recommended that your water supply be tested periodically (yearly) through your local health department or approved certified laboratory.

ELECTRICAL:

The DWS/SE/DWSW series are furnished with 6' line cord that will plug into a 110V outlet. Electrical receptacles must be properly grounded for safe operation. Improper grounding will void any warranty.

When possible use a separate breaker to minimize voltage fluctuations and avoid accidental shut off. After unit is installed and water is turned on, plug the unit into 110V wall receptacle. View lamp operation through safety Site Port lens. **NOTE: Avoid exposing your eyes to U.V. light.**

SANITATION PROCEDURE FOR INSTALLATION AND BULB REPLACEMENT:

HOW TO DISINFECT A WATER SYSTEM:

Every new well, or existing water supply system that has been disrupted for service or repair, should be disinfected before it is returned to use. Water in the well and storage tank should be treated with a strong chlorine solution to destroy disease organisms. All pipelines and fixtures in the distribution system should be rinsed and flushed with chlorinated water. Upon installation of a U.V. disinfection unit or yearly bulb replacement service, disinfection with chlorine to initially flush the system is recommended to assure line sanitation prior to U.V. start up.

The source of chlorine can be ordinary household liquid laundry bleach (about 5.25% available chlorine). The quantity required depends on the volume of water to be treated. The United States Environment Protection Agency (EPA) indicated that about 100 parts of chlorine, by weight, mixed in a million parts of water will destroy essentially all water-borne disease organisms. Table 1 shows the quantity of liquid bleach required to disinfect wells of various diameters and depths.

DISINFECTION PROCEDURE:

DRILLED WELLS: Remove the cap or seal from the casing and measure the depth of the water in the well, then refer to Table 1 to determine how much chlorine solution should be used. In some instances removing the seal to measure the water can be a difficult task, and it is easier to guess at the quantity of disinfectant needed than it is to make a more accurate determination (footnote, Table 1). As a general rule, it is better to use too much chlorine than too little. The disadvantage in doing so is that it will take longer for the taste and odor to leave the system.

Mix the required chlorine disinfectant with a few gallons of water in a plastic bucket and pour it into the well. If the seal has a removable vent, unscrew the pipe or plug and pour the disinfecting solution through the hole into the well. For maximum effectiveness, the chlorine must be mixed with the water in the well. This can be accomplished by connection a hose to a faucet beyond the pressure tank, and circulating the water from the tank back into the casing. After about 20 minutes, close this faucet, open another at the far end of the distribution line and let the water run until the odor of chlorine can be detected.

Close this faucet and repeat the procedure for each of the other outlets on the line until chlorinated water can be detected throughout the entire system. Keep this water in the pipeline for at least 6 hours, (preferably overnight) then start the pump and flush the system. Continue pumping until the odor of chlorine disappears. For U.V. installations or replacement bulb servicing, this can be shortened to 20 minute time.

LARGE DIAMETER WELLS: Dug or bored wells should be disinfected in the same way as a drilled one. Lower the water level as much as possible, remove the sand, silt and debris, and then treat with the chlorine solution. Mix thoroughly by circulating the water back into the well and use the hose to rinse the interior lining of the well. Do not try to disinfect an unprotected, unlined well because new seepage or surface contamination will flow into the water about as fast as you can disinfect it. Disinfect the pipeline distribution system as indicated for drilled wells.

SPRINGS AND CISTERNS: Mix about ½ cup of household bleach in 5 gallons of water and use this to scrub the walls of the spring box or holding tank. With a constant flow of fresh water from the spring, there is probably no way of detaining the chlorine solution in the reservoir for more than a few minutes. However, the chlorinated water should flow through the pipeline to disinfect the distribution system. Cisterns can be disinfected in the same way but a source of clean water will be needed to flush the dirty waste out of the system.

For additional information about how to protect wells and springs and keep them from becoming contaminated, call or visit your local Cooperative Extension office, or your nearest certified water treatment specialist.

TABLE 1 ** Quantity of solution mixed - 5.25% available chlorine (laundry bleach) for disinfecting wells, or 52,500 P.P.M..

WQA recommends 50mg/l or ppm chlorine concentration.

Formula - $C_2 \times V_2 / C_1 = V_1$

C_1 = Household Bleach (52,500 P.P.M.)

V_1 = Chlorine Amount Needed

C_2 = 50 mg/L V_2 = 80 gallons holding time

I.E. 50-ml/g X 80 gal = 4000/52,500 = .08 gallons of chlorine (5.25%)

.08 gal chlorine (5.35%) X 128 (oz/gal) = 10.24 oz (5.25%)

Dug Wells - 3 to 4 feet diameter - 4 cups per foot of water

Drilled Wells - 3 to 8 inch diameter - 1 cup per foot of water

TOO MUCH CHLORINE IS BETTER THAN TOO LITTLE:

** In situations where it is inconvenient to determine depth of water or diameter of a drilled well, a minimum of 1/2 gallon of household bleach may be used for wells up to 8 inches in diameter with estimated to be less than 80 feet deep; 1 gallon should be used for similar size wells with water deeper than 80 feet. In case of a well yielding more than 50 gallons per minute, special procedures are required. Seek the advice of a certified water treatment specialist.

Wait a day or two before you have another sample tested. **Do not take a sample for testing if the odor of chlorine is still present in water.**

REMEMBER - To make your water supply safe:

- Locate your well properly.
- Protect it from surface contamination.
- Test water periodically for coliform bacteria. (Home-yearly, Farm-2X yearly)
- Chlorinate, or filter and disinfect the water if necessary.

When installing an ultraviolet disinfection system, a prefilter with sump may serve as a source to sanitize the water lines only. For whole system disinfection follow procedure as outlined above.

Source: The Pennsylvania State University College of Agriculture Cooperative Extension.

How to Sanitize a Water System Using Well Sanitizer Pellets

Table 1

Well Diameter Inches	Weight of Pellets lbs. - oz.	Cups of Pellets	Number of Pellets
2	0 - 1.5	1/4	40
3	0 - 3.0	2/5	80
4	0 - 6.0	3/4	140
5	0 - 8.0	1	200
6	0 - 12.0	1-1/2	300
8	1 - 5.0	2-1/2	500
10	2 - 0	4	800
12	3 - 0	6	----
24	12 - 0	24	----
36	26 - 0	---	----

* To produce a 400 P.P.M. chlorine dosage

NOTE:

Pellets Weight = 1.14 gram each, 25 pellets/oz., 400 pellets/lb.
 1 cup of pellets = 1/2 lb., or 200 pellets, or 8 oz.

To produce a 400 P.P.M. chlorine concentration, to sanitize a water system, use one-half (1/2) pound chlorination pellets for each 100 gallons of water in the system (1/2 lb/100 gal= 8 oz/100 gal= 200 pellets/ 100 gal= 1 cup pellets/100 gal). Table 1 shows how many pellets too use per 100 feet of water in various diameter wells.

DRILLED WELLS:

1. Remove the cap or seal from the casing and measure the depth of the water in the well, then refer to Table 1 to determine how many chlorine pellets should be used. In some instances removing the seal to measure the water can be a difficult task, and it is easier to estimate well and water depth from well log or other records.
2. Remove well cap and determine if there is an unobstructed path from the top of the well to the water level. If it is not possible to remove the well cap, remove vent or sanitation access plug.
3. Drop one pellet into the well and listen to hear if it hits the water. If the pellet hits the water, drop one-half the number of pellets determined to be needed into the well. These will sink to the bottom and sanitize the lower part of the well.
4. Mix the remaining pellets in a few gallons of water in a CLEAN plastic container and pour the solution into the well.
5. In order to mix the chlorine thoroughly throughout the entire water system, it is necessary to recirculate the water in the well. This can be accomplished by connection a hose to an out side faucet that is located after the pressure tank. Use hose to run water back down the well (this also rinses upper portion of well). After about 15 minutes of recirculation the water, a strong chlorine odor should be apparent. Turn off hose.
6. Bypass water softener and filters and open each water outlet in the water system until chlorine is present in water. This procedure assures that all the water in the system is chlorinated.
7. Allow the chlorinated water to stand in the system for at least one (1) hour, and preferable overnight. After this, open an outside faucet system until water runs chlorine free. Repeat flush operation on each faucet in system.

NOTE:

A. Chlorine may break loose iron deposits, slime and organic material. This material will make the water run colored. The material broken loose may plug pump screens. **Do not continue to run pump if water doesn't flow.**

B. The high level of chlorine required to sanitize a water system is corrosive to most metals and chlorine solution must **not** be allowed to remain in water system more than 36 hours before being completely flushed from system.

8. After system has been completely flushed, perform a bacteriological analysis on the water following all applicable procedures.

NOTE: Always follow the sanitizing procedure required by applicable state or local laws.

EPA Registered: Well sanitizer pellets are EPA Registered for sanitizing potable water. EPA Registration No. 50510-1

TROUBLESHOOTING GUIDE

PROBLEM	CAUSE	CORRECTION
U.V. lamp will not light	Check input voltage if below or above 120 volts	Install a voltage regulator
or outlet defective	Line cord disconnected	Check, replace
	Defective U.V. lamp	Replace
	Defective lamp ballast	Check output voltage Replace ballast
	Loose open-circuit wire	Trace out and repair
Leak at quartz nipple	Defective or cracked O-Ring	Replace O-Ring
	O-Ring not seated properly	Replace O-Ring

OPTIONAL FEATURES:

U.V. SENSOR WITH AUDIBLE ALARM:

Units with this option require a separate power source. This unit can be added at anytime. It features a built-in audible alarm and fail-safe circuitry designed to activate a solenoid valve when dosage falls below a preset level. This is a proprietary true U.V. monitor and control system.

LIMITED WARRANTY

All parts of the disinfection unit, with the exception of the U.V. lamp, are guaranteed for one (1) year against defective parts and workmanship. The stainless steel disinfection chamber on the DWS, SE, and DWSW series is guaranteed for ten (10) years. Any component which fails to operate satisfactorily within their time period will be replaced free of charge under the following conditions:

NOTIFY YOUR LOCAL DEALER OR DISTRIBUTOR OF ANY PARTS SUSPECTED OF BEING DEFECTIVE.

Upon approval by Aqua Treatment Service Inc., the Dealer/Distributor should return the item to Aqua Treatment Services, Inc. 194 Hempt Road, Mechanicsburg, PA 17050 (prepaid). If a part proves to be defective, it will be repaired or replaced and returned to the Dealer/Distributor freight paid.

It is the dealer/customer responsibility to reinstall any components which require replacement under warranty. No labor will be covered under this Limited Warranty.

Aqua Treatment Services' or sellers liability is limited to the repair or replacement of any component found to be defective, and in no case shall we be held liable for damage, either immediate or subsequent, arising out of the use of this equipment.

SPECIFICATIONS

MODEL #	DWS-7/SE-7	DWS-15/SE-15
Maximum Capacity G.P.M.	7	15
Shipping Weight	19	28
No. of Lamps	1	1
KW @ 120V	.038	.067
KW @ 220V	.033	.064
AMPS @ 120V	.32	.56
AMPS @ 220V	.15	.29
Inlet/Outlet Size	¾" Std. MNPT	¾" Std. MNPT
Overall Dimension Inc. Wall Mount L x W x D	18" x 4" x 7"	36" x 4" x 7"
Disinfection Chamber (wetted parts) Material	304 SS Tubing	304 SS Tubing
Cabinet Housing Material	304 SS #4 Polish	304 SS #4 Polish
ATS-254M Monitor	N/A	Optional
U.V. Dosage	> 30,000 µw sec./cm ²	> 30,000 µw sec./cm ²

DWSW-8	DWSW-15
8	15
22	28
1	1
.038	.067
.033	.064
.32	.56
.15	.29
¾" Std. MNPT	¾" Std. MNPT
24" x 9" x 6½"	36" x 4" x 8"
304 SS Tubing	304 SS Tubing
304 SS #4 Polish	304 SS #4 Polish
Optional	Optional
> 30,000 µw sec./cm ²	> 30,000 µw sec./cm ²

SUGGESTED PROCEDURE FOR OBTAINING STERILE WATER SAMPLES:

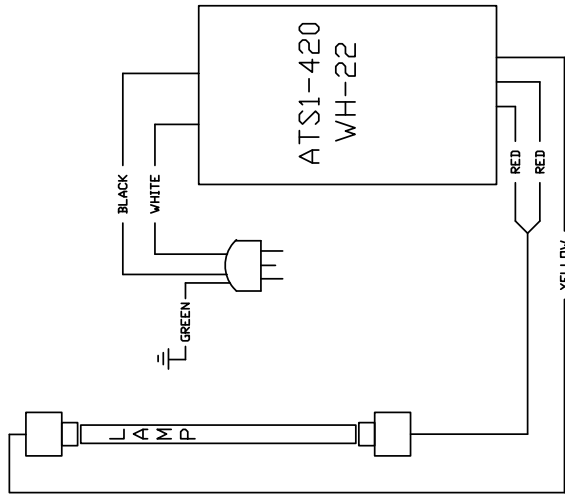
Prior to taking the water sample, be sure to have on hand an adequate supply of sterile bottles. These sterile bottles should be obtained from a reputable laboratory and should have been autoclaved and contained within a plastic outer wrapping.

1. Prior to taking the sample, it is imperative that the sample cock, faucets, etc. be opened at full force for a complete three and one half minutes.
2. After the valve has been left wide open for three and one half minutes, reduce the flow to a reasonable stream of water. Flow to drain an additional three minutes.
3. Open the sterile bottle or sterile container being used. Holding the cap in a down position, the operator should then hold his breath while taking the sample so as to avoid oral contamination of the sample. The operator must not allow his finger to touch the inside of the cap or the neck of the bottle.
4. After the sample has been taken, the cap should immediately be tightly placed on the sample container.
5. The sample container should be placed in a plastic wrapping and should be taken to the laboratory for plating as soon as possible following the above procedure.

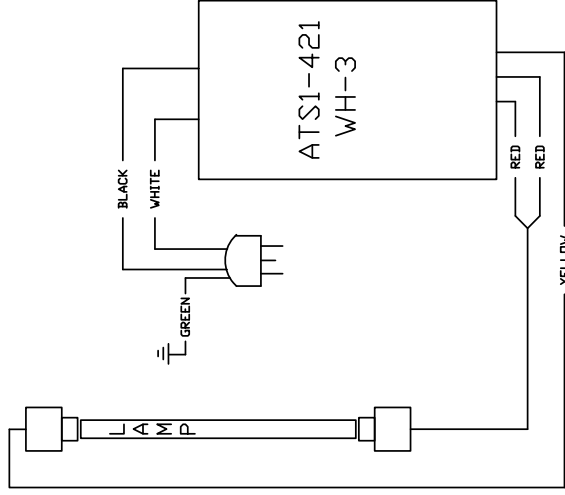
We recommend duplicate samples be taken at each test station during each specific test so as to avoid loss of sample through laboratory error and to insure reasonable validity through comparison.

Check with your local laboratory to assure proper sampling and submittal procedure.

WIRING DIAGRAMS



WIRING DIAGRAM W/O CIRCUIT BOARD
(DWS-7)

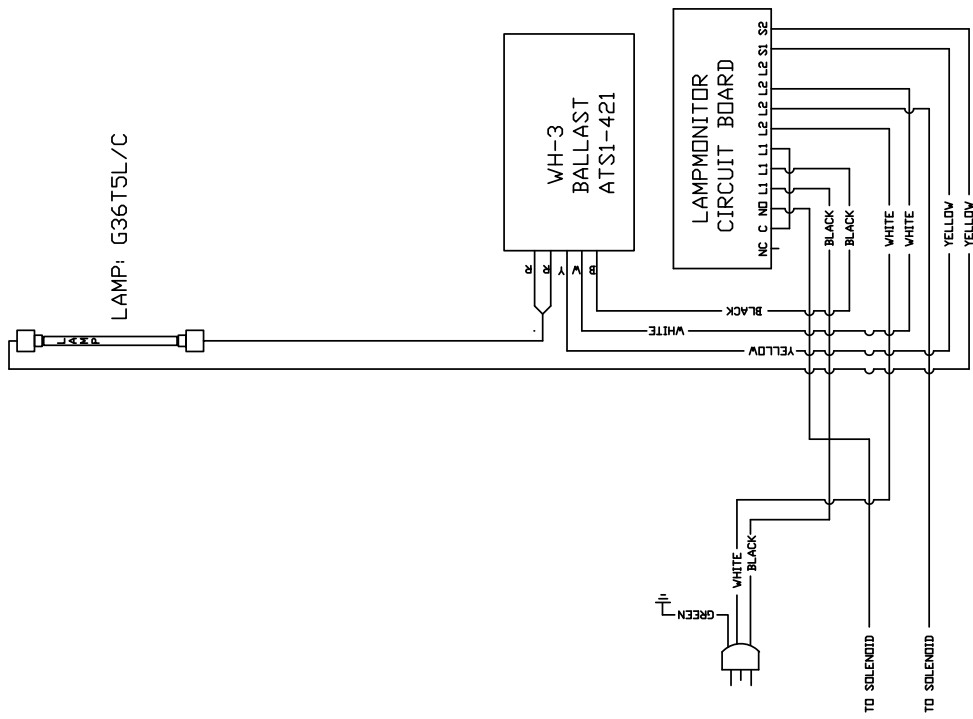


WIRING DIAGRAM W/O CIRCUIT BOARD
(DWS-15, DWSW-15)

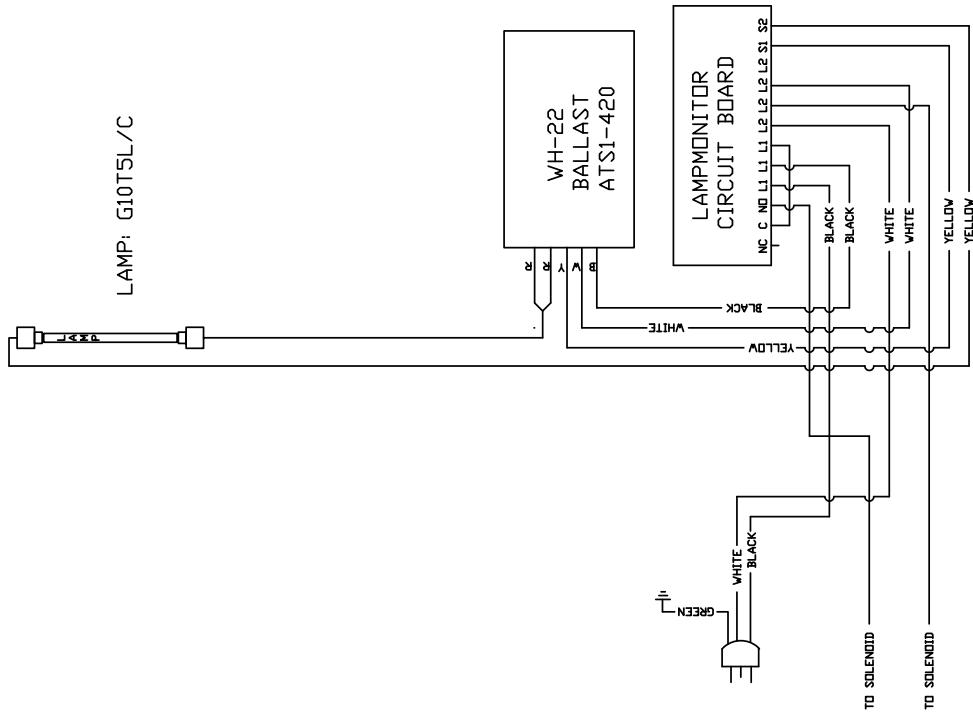
part code	tolerances unless otherwise specified	copy
1	.XX +/- .025	1
2	.XX +/- .025	CUSTOMER
3	.XX +/- .025	
4	.XX +/- .025	
5	.XX +/- .025	
6	.XX +/- .025	
7	.XX +/- .025	
8	.XX +/- .025	
9	.XX +/- .025	
10	.XX +/- .025	
11	.XX +/- .025	
12	.XX +/- .025	
13	.XX +/- .025	
14	.XX +/- .025	
15	.XX +/- .025	
16	.XX +/- .025	
17	.XX +/- .025	
18	.XX +/- .025	
19	.XX +/- .025	
20	.XX +/- .025	
21	.XX +/- .025	
22	.XX +/- .025	
23	.XX +/- .025	
24	.XX +/- .025	
25	.XX +/- .025	
26	.XX +/- .025	
27	.XX +/- .025	
28	.XX +/- .025	
29	.XX +/- .025	
30	.XX +/- .025	
31	.XX +/- .025	
32	.XX +/- .025	
33	.XX +/- .025	
34	.XX +/- .025	
35	.XX +/- .025	
36	.XX +/- .025	
37	.XX +/- .025	
38	.XX +/- .025	
39	.XX +/- .025	
40	.XX +/- .025	
41	.XX +/- .025	
42	.XX +/- .025	
43	.XX +/- .025	
44	.XX +/- .025	
45	.XX +/- .025	
46	.XX +/- .025	
47	.XX +/- .025	
48	.XX +/- .025	
49	.XX +/- .025	
50	.XX +/- .025	
51	.XX +/- .025	
52	.XX +/- .025	
53	.XX +/- .025	
54	.XX +/- .025	
55	.XX +/- .025	
56	.XX +/- .025	
57	.XX +/- .025	
58	.XX +/- .025	
59	.XX +/- .025	
60	.XX +/- .025	
61	.XX +/- .025	
62	.XX +/- .025	
63	.XX +/- .025	
64	.XX +/- .025	
65	.XX +/- .025	
66	.XX +/- .025	
67	.XX +/- .025	
68	.XX +/- .025	
69	.XX +/- .025	
70	.XX +/- .025	
71	.XX +/- .025	
72	.XX +/- .025	
73	.XX +/- .025	
74	.XX +/- .025	
75	.XX +/- .025	
76	.XX +/- .025	
77	.XX +/- .025	
78	.XX +/- .025	
79	.XX +/- .025	
80	.XX +/- .025	
81	.XX +/- .025	
82	.XX +/- .025	
83	.XX +/- .025	
84	.XX +/- .025	
85	.XX +/- .025	
86	.XX +/- .025	
87	.XX +/- .025	
88	.XX +/- .025	
89	.XX +/- .025	
90	.XX +/- .025	
91	.XX +/- .025	
92	.XX +/- .025	
93	.XX +/- .025	
94	.XX +/- .025	
95	.XX +/- .025	
96	.XX +/- .025	
97	.XX +/- .025	
98	.XX +/- .025	
99	.XX +/- .025	
100	.XX +/- .025	

ATS
AQUA TREATMENT SERVICE, INC.
194 HEMPF ROAD
MECHANICSBURG, PA 17050
(717) 697-4958
FAX (800) 787-0197

DWS-7, DWS-15, DWS-15-100
WIRING DIAGRAM W/ ELECTRONIC BALLASTS
Q:\Graphics folder\Drawings/Shop Drawings/UV Drawings/Wiring Diagram



SE-15



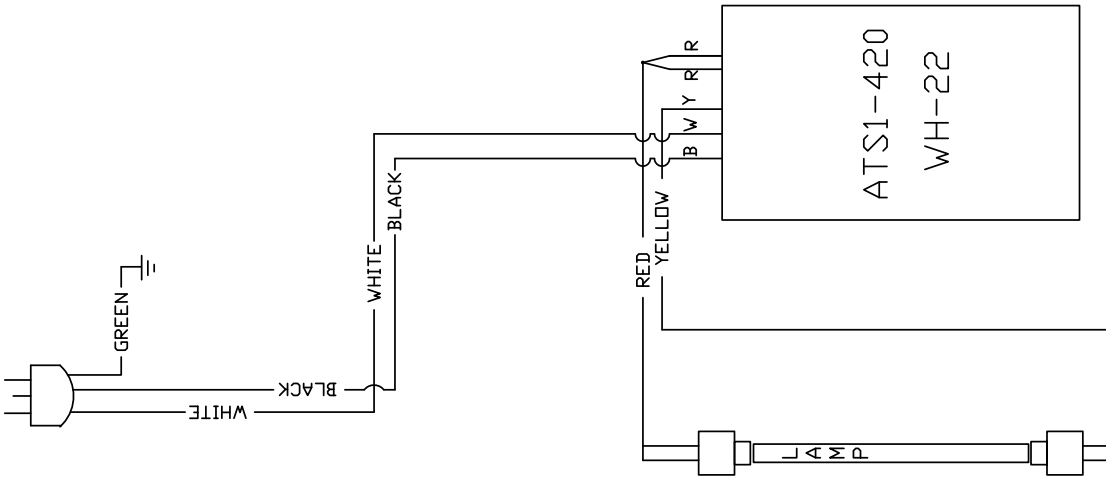
SE-7

part code	tolerances unless otherwise specified	copy
1	.XX +/- .125	1
	linear .XXX +/- .075	
	angles .XXX +/- .050	
	dr T/GARLICK B/25/08	
	prop	
	chr	
	prod	

ATSS
Aqua Treatment Service, Inc.
194 Hempt Road
Mechanicsburg, PA 17050
(717) 697-4998
FAX (800) 787-0197

SE-7, SE-15 W/ELECTRONIC BALLAST
WIRING DIAGRAM

G/Graphics folder/Drawings/Shop Drawings/UV Drawings/Wiring Diagram



WIRING DIAGRAM W/D CIRCUIT BOARD (DWSW-8)

part code		tolerances unless otherwise specified		COPY	
iter	ecn no	dr	date	.XX +/- .125	1
				linear .XXX +/- .025	CUSTOMER
				angles 0 +/- .3	
				dr. TIGERLICK	15/21/07
				pgf	
				cap	
				ppp	

DWSW-8

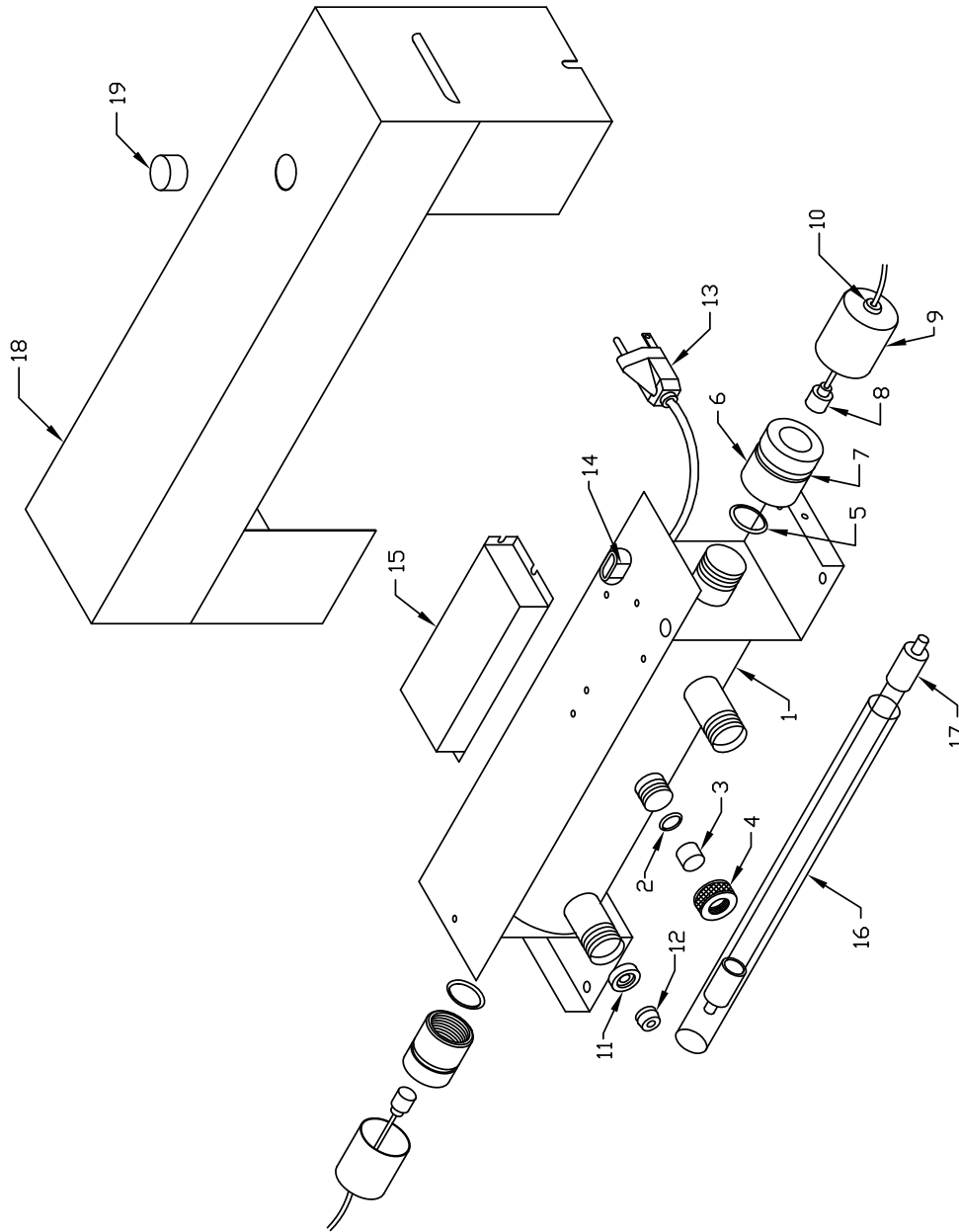
WIRING DIAGRAM

Q/Graphics folder/Drawings/Shop Drawings/UV Drawings/Wiring Diagram


ATS
 AQUA TREATMENT SERVICE, INC.
 194 HEMPA ROAD
 MECHANICSBURG, PA 17050
 (717) 697-4998
 FAX (800) 787-0197

DRAWINGS AND PART NUMBERS

DWS-7 Explosion



part code	tolerances unless otherwise specified	copy
1	.XX +/- .025	1
2	.XXX +/- .075	CUSTOMER
3	.XXX +/- .050	
4	ANGLES 0 +/- .3	
5	UP TO 1/16 INCHES 1/2 EIT/02	
6	UP TO 1/16 INCHES 1/2 EIT/02	
7	UP TO 1/16 INCHES 1/2 EIT/02	
8	UP TO 1/16 INCHES 1/2 EIT/02	
9	UP TO 1/16 INCHES 1/2 EIT/02	
10	UP TO 1/16 INCHES 1/2 EIT/02	
11	UP TO 1/16 INCHES 1/2 EIT/02	
12	UP TO 1/16 INCHES 1/2 EIT/02	
13	UP TO 1/16 INCHES 1/2 EIT/02	
14	UP TO 1/16 INCHES 1/2 EIT/02	
15	UP TO 1/16 INCHES 1/2 EIT/02	
16	UP TO 1/16 INCHES 1/2 EIT/02	
17	UP TO 1/16 INCHES 1/2 EIT/02	
18	UP TO 1/16 INCHES 1/2 EIT/02	
19	UP TO 1/16 INCHES 1/2 EIT/02	


AQUA TREATMENT SERVICE, INC.
 194 HEMET ROAD
 MECHANICSBURG, PA 17050
 (717) 691-4999
 FAX (800) 787-0197

P/N DWS-7

7 GPM UV DISINFECTION UNIT

Q/Graphics folder/Drawings/Shop Drawings/UV Drawings/Bom/Explosions

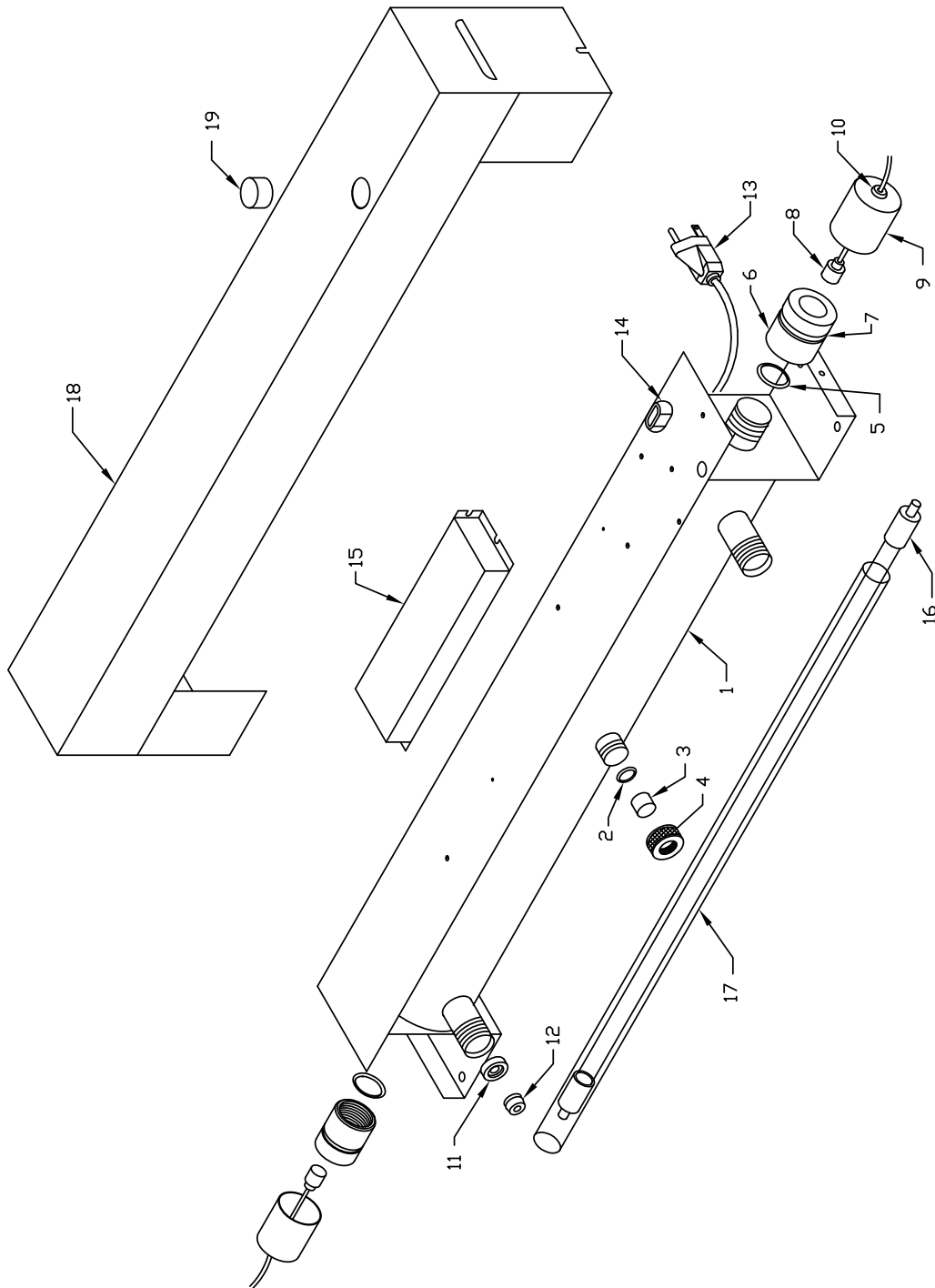
DWS-7 Parts List

<u>CODE</u>	<u>PART#</u>	<u>DESCRIPTION</u>	<u>QTY.</u>
1	ATS-5100	Chamber	1
2	ATS-5173	Site Port O-Ring	1
3	ATS-5172	Site Port Lens	1
4	ATS-5171	Site Port Nut	1
5	ATS8-544	End Nut O-Ring (seal quartz sleeve)	2
6	ATS5-411	Brass End Nut	2
7	ATS8-546	O-Ring (for shroud on end nut)	2
8	ATS-4010	Socket w/ Wire	2
9	ATS-N1156	Brass Shroud	2
10	ATS-7030	Grommet (for wire assy. in shroud)	2
11	ATS-R01	3/4" Flo.-Et. Retainer 7 gpm	1
12	ATS-F07	7 gpm Flo.-Et.	1
13	ATS-4000	Power Cord	1
14	ATS-6L1	Strain Relief (for Power Cord)	1
15	ATS1-420	Ballast 120V/60Hz	1
16	ATS6-211	Quartz Sleeve	1
17	ATS1-805	Bulb	1
18	ATS-6100	Cover w/ Hole for Plastic Lens	1
19	ATS-7600	Plastic Sight Lens (for cover)	1

KITS

ATS-4025 Kit: 5 thru 10
ATS-5177 Lens Kit: 2 thru 4

DWS-15 Explosion



 AQUA TREATMENT SERVICE, INC. 194 HEMPT ROAD MECHANICSBURG, PA 17050 (717) 691-4998 FAX (800) 787-0197		P/N DWS-15 15 GPM UV DISINFECTION UNIT
mat'l code descr qty unit char pack	tolerances unless otherwise specified linear .XX +/- .025 angles .XXX +/- .050 diam TOLERANCE 5/14/07 hole thread	COPY 1 CUSTOMER
spec'n no date rev by app'd checked date	date date date date date date	

Q/Graphics folder/Drawings/Shop Drawings/UV Drawings/Bom/Explosions

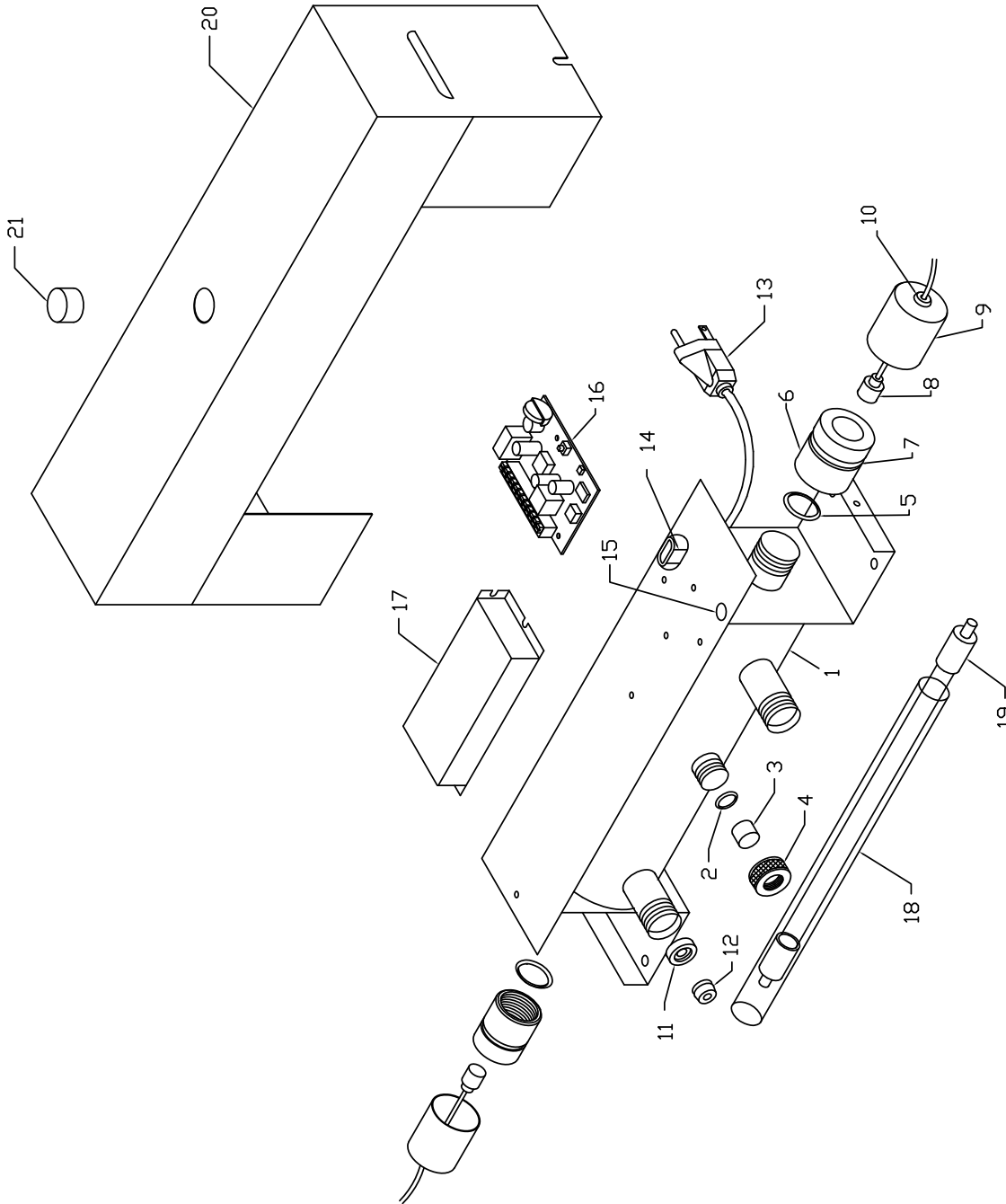
DWS-15 Parts List

<u>CODE</u>	<u>PART#</u>	<u>DESCRIPTION</u>	<u>QTY.</u>
1	ATS-5200	Chamber	1
2	ATS-5173	Site Port O-Ring	1
3	ATS-5172	Site Port Lens	1
4	ATS-5171	Site Port Nut	1
5	ATS8-544	End Nut O-Ring (seal quartz sleeve)	2
6	ATS5-411	Brass End Nut	2
7	ATS8-546	O-Ring (for shroud on end nut)	2
8	ATS-4010	Socket w/ Wire	2
9	ATS-N1156	Brass Shroud	2
10	ATS-7030	Grommet (for wire assy. in shroud)	2
11	ATS-R02	3/4" Flo.-Et. Retainer 12 - 15 gpm	1
12	ATS-F15	15 gpm Flo.-Et.	1
13	ATS-4000	Power Cord	1
14	ATS-6L1	Strain Relief (for Power Cord)	1
15	ATS1-421	Ballast 120V/60Hz	1
16	ATS8-246	Bulb	1
17	ATS6-608	Quartz Sleeve	1
18	ATS-6200	Cover w/o Hole for Plastic Lens	1
19	ATS-7600	Plastic Sight Lens (for cover)	1


KITS

ATS-4025 Kit: 5 thru 10
ATS-5177 Lens Kit: 2 thru 4

SE-7 Explosion



Part code	Tolerances unless otherwise specified	COPY
1	.XX +/- .125	1
2	.XXX +/- .075	CUSTOMER
3	.XXX +/- .050	
4	Ø +/- .3	
5	Ø TIGARLICK 18/25/08	
6	Ø	
7	Ø	
8	Ø	
9	Ø	
10	Ø	
11	Ø	
12	Ø	
13	Ø	
14	Ø	
15	Ø	
16	Ø	
17	Ø	
18	Ø	
19	Ø	
20	Ø	
21	Ø	


ATS
 AQUA TREATMENT SERVICE, INC.
 124 HEMLOCK ROAD
 MECHANICSBURG, PA 17050
 (717) 697-4996
 FAX (800) 787-0197

P/N SE-7
7 GPM UV

Q/Graphics folder/Drawings/Shop Drawings/UV Drawings/Bom/Explosions

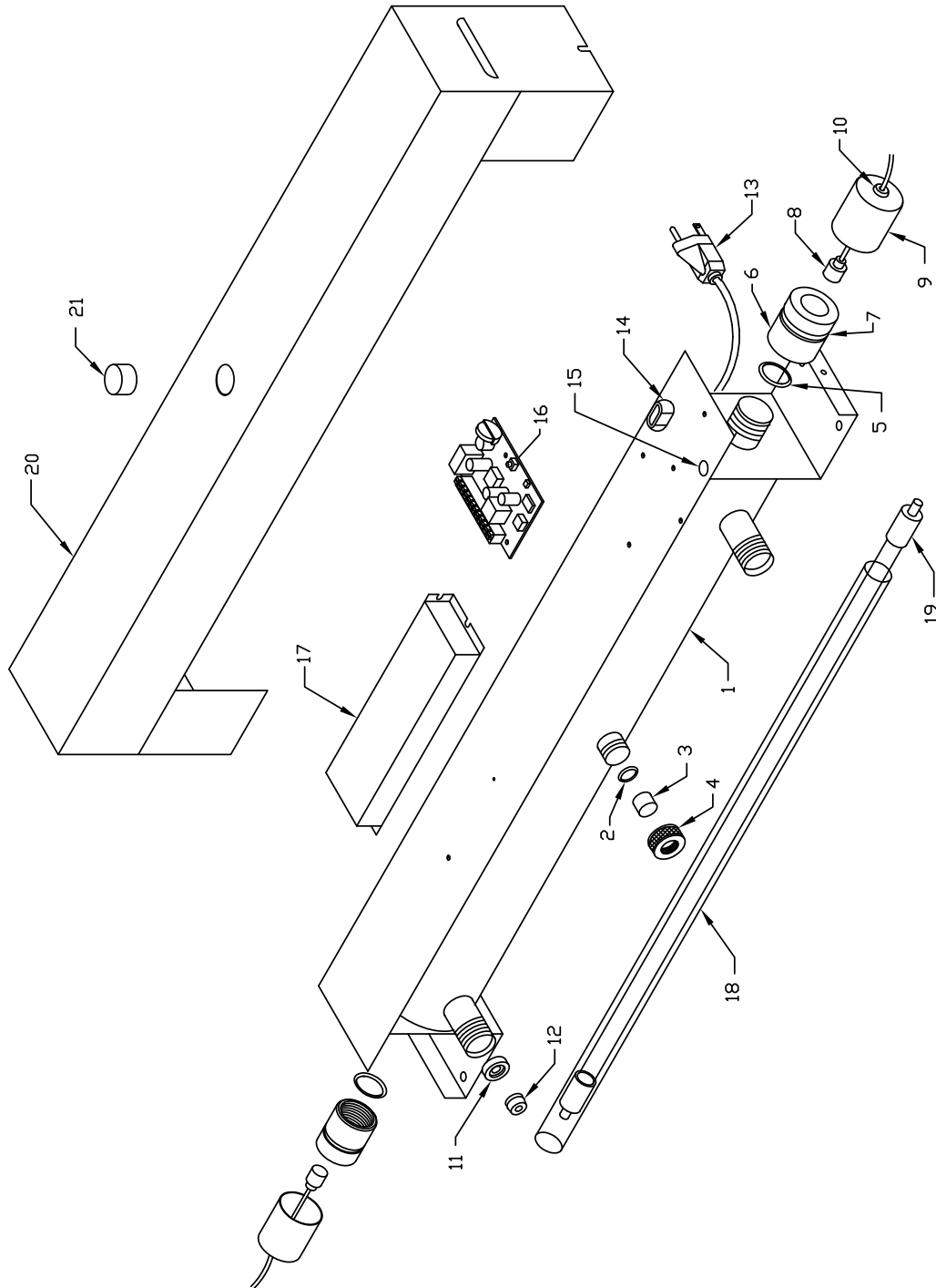
SE -7 Parts List

<u>CODE</u>	<u>PART#</u>	<u>DESCRIPTION</u>	<u>QTY.</u>
1	ATS-5100	Chamber	1
2	ATS-5173	Site Port O-Ring	1
3	ATS-5172	Site Port Lens	1
4	ATS-5171	Site Port Nut	1
5	ATS8-544	End Nut O-Ring (seal quartz sleeve)	2
6	ATS5-411	Brass End Nut	2
7	ATS8-546	O-Ring (for shroud on end nut)	2
8	ATS-4010	Socket w/ Wire	2
9	ATS-N1156	Brass Shroud	2
10	ATS-7030	Grommet (for wire assy. in shroud)	2
11	ATS-R01	3/4" Flo.-Et. Retainer 7 gpm	1
12	ATS-F07	7 gpm Flo.-Et.	1
13	ATS-4000	Power Cord	1
14	ATS-6L1	Strain Relief (for Power Cord)	1
15	ATS-7031	Grommet	1
16	ATS-LED-BRD	Lamp Indicator Circuit Board	1
17	ATS1-420	Ballast 120V/60Hz	1
18	ATS6-211	Quartz Sleeve	1
19	ATS1-805	Bulb	1
20	ATS-6100	Cover w/ Hole for Plastic Lens	1
21	ATS-7600	Plastic Site Lens (for cover)	1

KITS

ATS-4025 Kit: 5 thru 10
ATS-5177 Lens Kit: 2 thru 4

SE-15 Explosion



 ATS AQUA TREATMENT SERVICE, INC. 1901 HEMPF ROAD MECHANICSBURG, PA 17050 (717) 657-4996 FAX (800) 787-0197		P/N SE-15
15 GPM UV DISINFECTION UNIT		G/Graphics folder/Drawings/Shop Drawings/UV Drawings/Bom/Explosions
tolerances unless otherwise specified .XX +/- .125 linear .XXX +/- .075 .XXXX +/- .050 angles 0 +/- .3° or TOLERANCE 18/25/08	COPY 1 CUSTOMER	
mat'l code trn ecn no dr date		

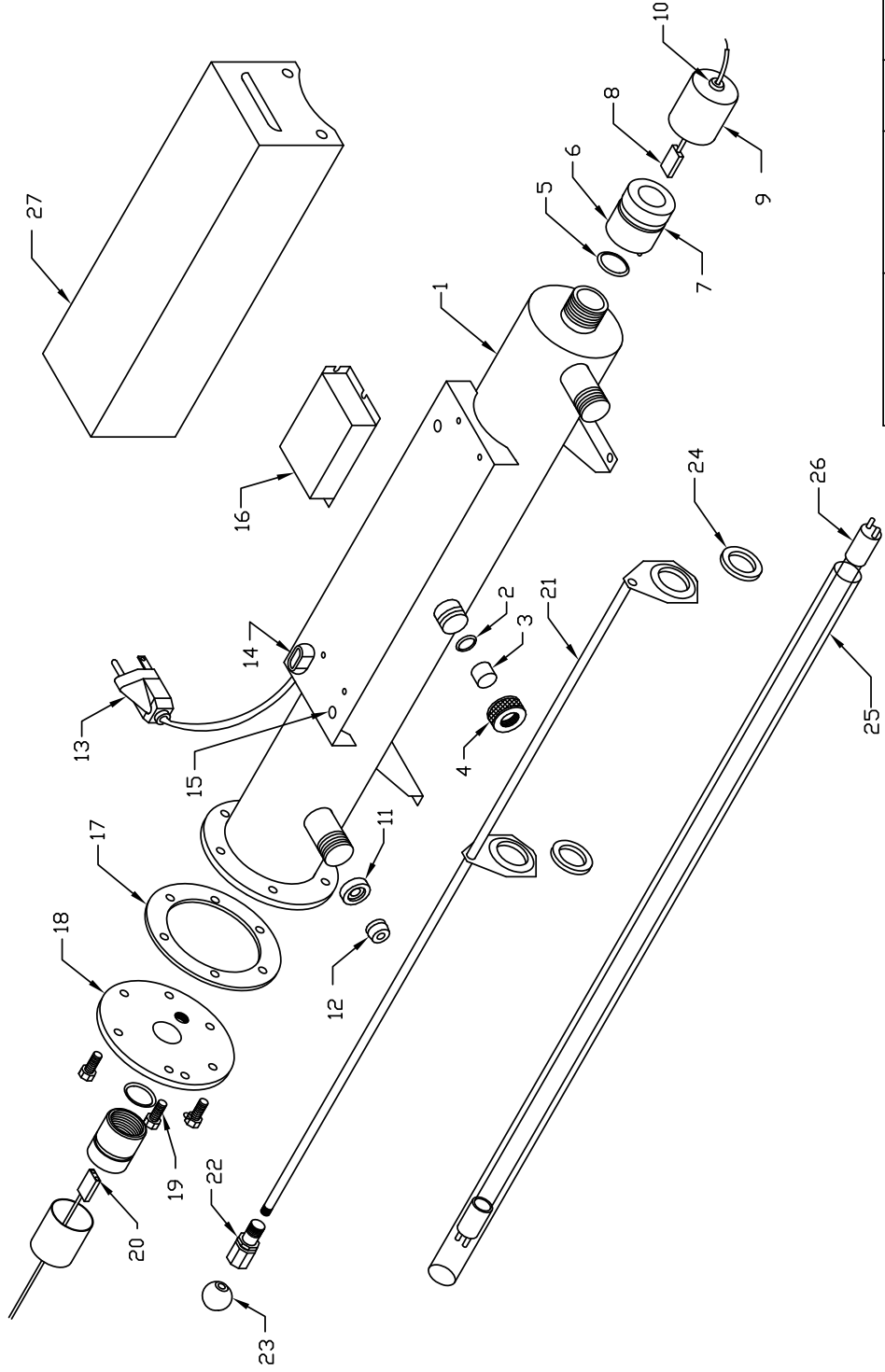
SE-15 Parts List

<u>CODE</u>	<u>PART#</u>	<u>DESCRIPTION</u>	<u>QTY.</u>
1	ATS-5200	Chamber	1
2	ATS-5173	Site Port O-Ring	1
3	ATS-5172	Site Port Lens	1
4	ATS-5171	Site Port Nut	1
5	ATS8-544	End Nut O-Ring (seal quartz sleeve)	2
6	ATS5-411	Brass End Nut	2
7	ATS8-546	O-Ring (for shroud on end nut)	2
8	ATS-4010	Socket w/ Wire	2
9	ATS-N1156	Brass Shroud	2
10	ATS-7030	Grommet (for wire assy. in shroud)	2
11	ATS-R02	¾" Flo.-Et. Retainer 12-15 gpm	1
12	ATS-F15	15 gpm Flo.-Et.	1
13	ATS-4000	Power Cord	1
14	ATS-6L1	Strain Relief (for power cord)	1
15	ATS-7031	Grommet	1
16	ATS-LED-BRD	Lamp Indicator Circuit Board	1
17	ATS1-421	Ballast 120V/60Hz	1
18	ATS6-608	Quartz Sleeve	1
19	ATS8-246	Bulb	1
20	ATS-6202	Cover w/ Hole and Plastic Lens	1
21	ATS-7600	Plastic Sight Lens (for cover)	1

KITS

ATS-4025 Kit: 5 thru 10
ATS-5177 Lens Kit: 2 thru 4

DWSW-8 Explosion



 ATS <small>Advanced Treatment Systems</small>		AQUA TREATMENT SERVICE, INC. 194 HEMPT FIELD MECHANICSBURG, PA 17050 (717) 697-9999 FAX (800) 787-0197	
mat'l code descr no dr date rev by app'd checked released	tolerances unless otherwise specified linear .XX +/- .025 .XXX +/- .075 .XXXX +/- .050 angles 0 +/- .3 fit TOLERANCE fit hard	COPY 1 CUSTOMER	P/N DWSW-8 8 GPM UV DISINFECTION UNIT W/WIPER
G/Graphics folder/Drawings/Shop Drawings/UV Drawings/Bom/Explosions			

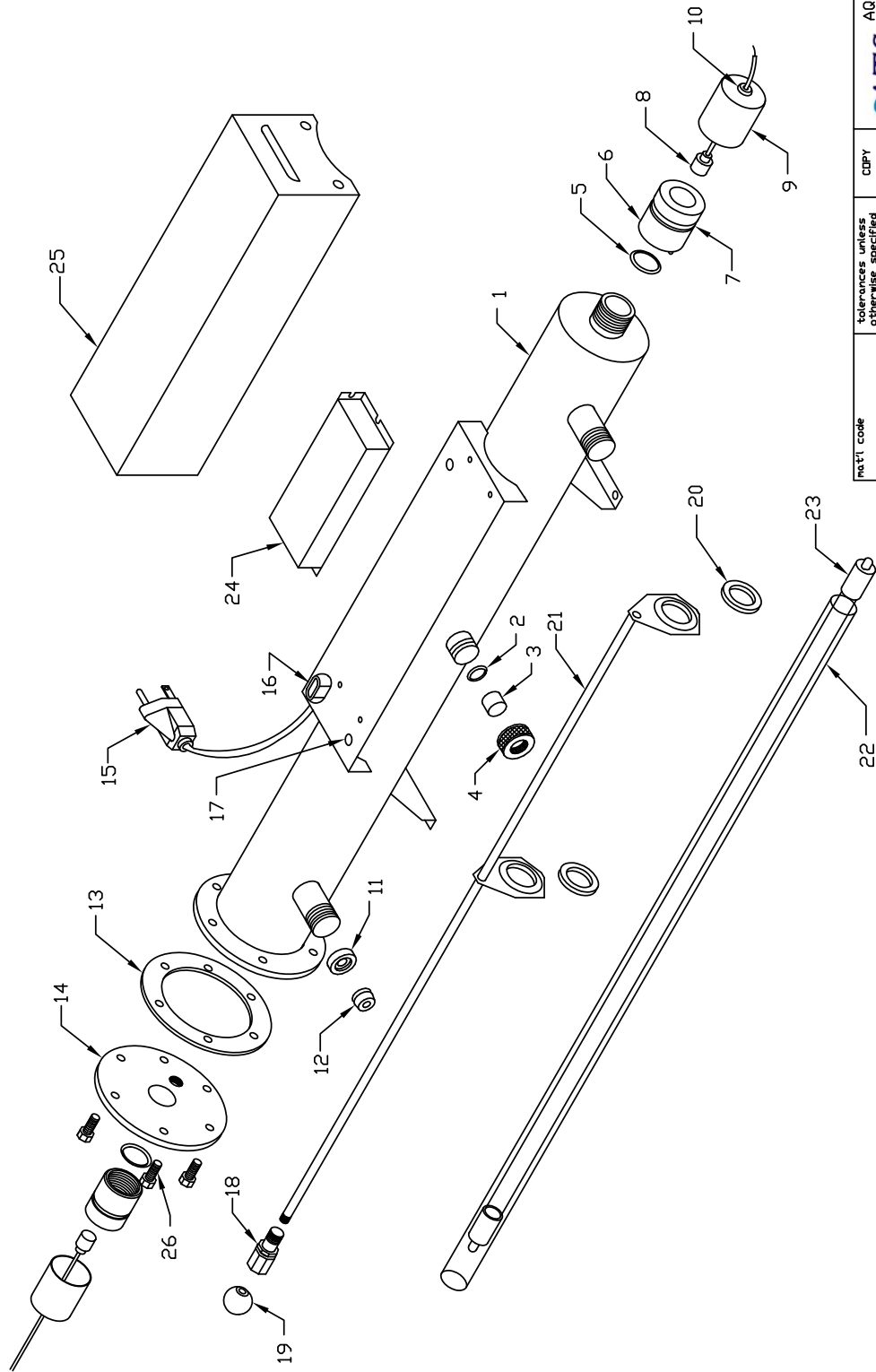
DWSW-8 Parts List

<u>CODE</u>	<u>PART#</u>	<u>DESCRIPTION</u>	<u>QTY.</u>
1	ATS-5227	Chamber	1
2	ATS-5173	Site Port O-Ring	1
3	ATS-5172	Site Port Lens	1
4	ATS-5171	Site Port Nut	1
5	ATS8-544	End Nut O-Ring (Seal Quartz Sleeve)	2
6	ATS5-411	Brass End Nut	2
7	ATS8-546	O-Ring (for shroud on end nut)	2
8	03-09-2022	Socket Housing	2
9	ATS-N1156	Brass Shroud	2
10	ATS-7030	Grommet (for wire assy. in shroud)	2
11	ATS-R01	¾" Flo.-Et. Retainer 6-8 gpm	1
12	ATS-F08	8 gpm Flo.-Et.	1
13	ATS-4000	Power Cord	1
14	ATS-6L1	Strain Relief (for power cord)	1
15	ATS-7031	Grommet	2
16	ATS1-420	Ballast	1
17	ATS-1535	Outer Ring Gasket	1
18	ATS-0005	End Plate	1
19	ATS-2535	SS ⁵ / ₁₆ - 24 x ³ / ₄ Hex Bolt	6
20	02-09-1104	Socket Terminal	4
21	ATS-8540	Wiper Rod Assembly	1
22	ATS-3535	Wiper Rod Compression Fitting	1
23	ATS-7535	Wiper Rod Knob	1
24	ATS-6535	Wiper Rod Gasket	2
25	ATS1-483	Quartz Sleeve	1
26	ATS2-457	Bulb	1
27	ATS-6300	Cover	1


KITS

ATS-4025 Kit: 5 thru 10
ATS-5177 Lens Kit: 2 thru 4

DWSW-15 Explosion



part code		tolerances unless otherwise specified		COPY	
tr	ecn no	dr	date	.XX +/- .125	1
				linear .XXX +/- .075	CUSTOMER
				ANGLES 0 +/- .3	
				DR TABLETOP 5/21/07	
				DR	
				DR	
				PROP	
				15 GPM UV DISINFECTION UNIT W/WIPER	
G/Graphics folder/Drawings/Shop Drawings/UV Drawings/Bom/Explosions					


ATS
 AQUA TREATMENT SERVICE, INC.
 197 HEMPFIELD BLVD
 MECHANICSBURG, PA 17050
 FAX (800) 497-4938
 P/N DWSW-15

DWSW-15 Parts List

<u>CODE</u>	<u>PART#</u>	<u>DESCRIPTION</u>	<u>QTY.</u>
1	ATS-5182	Chamber	1
2	ATS-5173	Site Port O-Ring	1
3	ATS-5172	Site Port Lens	1
4	ATS-5171	Site Port Nut	1
5	ATS8-544	End Nut O-Ring (seal quartz sleeve)	2
6	ATS5-411	Brass End Nut	2
7	ATS8-546	O-Ring (for shroud on end nut)	2
8	ATS-4010	Socket w/ Wire	2
9	ATS-N1156	Brass Shroud	2
10	ATS-7030	Grommet (for wire assy. in shroud)	2
11	ATS-R02	3/4" Flo.-Et. Retainer 12-15 gpm	1
12	ATS-F15	15 gpm Flo.-Et.	1
13	ATS-1535	Outer Ring Gasket	1
14	ATS-0005	End Plate	1
15	ATS-4000	Power Cord	1
16	ATS-6L1	Strain Relief (for power cord)	1
17	ATS-7031	Grommet	2
18	ATS-3535	Wiper Rod Compression Fitting	1
19	ATS-7535	Wiper Rod Knob	1
20	ATS-6535	Wiper Rod Gasket	2
21	ATS-9535	Wiper Rod Assembly	1
22	ATS6-608	Quartz Sleeve	1
23	ATS8-246	Bulb	1
24	ATS1-421	Ballast	1
25	ATS-6300	Cover	1
26	ATS-2535	SS 5/16 - 24 x 3/4 Hex Bolt	6

KITS

ATS-4025 Kit: 5 thru 10
ATS-5177 Lens Kit: 2 thru 4